

## 12°-28° ZOOMSPOT



A base down axial profile delivering a “cool” beam of light in a beam range adjustable between 12° to 28°. The beam is crisp “white” light with little or no distortion, ideal for pattern projection and precise beam shaping.

An energy efficient luminaire with active heat management system delivers longer life for filters, shutters etc and lower energy consumption.

### FEATURES

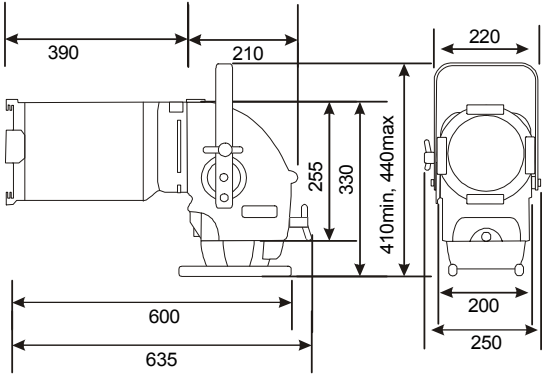
- Produces more light than comparative beam range of traditional ellipsoidal profiles due to reflector design.
- Cool light ‘white’ light. Over 80% of the heat is removed from the light beam by cold mirror and dissipated through the heat-sink.
- Base down lamp mounted axially in the reflector to maximise light collection.
- Choice of 600W, 800W, 1000W or 150W MH or MSR 575W lamp modules (each supplied with 1m mains cable).
- Accurate, simple & cool to use, lamp peak / flat adjustment.
- Two pattern / iris mounting positions.
- Rotatable lens tube.
- Constructed from aluminium pressure die-castings and injection moulded Fortron plastic components.
- Height adjustable yoke.
- Automatic disconnection of power on removal of lamp module. CE marked.

### PHOTOMETRIC DATA

Tests conducted using standard 240V production lamps manufactured by Philips.

		Beam Diameter									
Beam angle		12 °, m	0	0.8	1.7	2.5	3.4	4.2	5.0	5.9	6.7
Beam angle		28 °, m	0	2.0	4.0	6.0	8.0	10.0	12.0	14.0	16.0
Throw Distance in m			0	4	8	12	16	20	24	28	32
Lamp		Light Output in Lux									
240V BP 1000W	12°	Peak	16200	4050	1800	1013	648	450	331	-	-
		Flat	16200	4050	1800	1013	648	450	331	-	-
240V 800W	28°	Peak	4070	1018	452	-	-	-	-	-	-
		Flat	4000	1000	444	-	-	-	-	-	-
240V GKV 600W	12°	Peak	18900	4725	2100	1181	756	525	386	-	-
		Flat	17000	4250	1899	1063	680	472	347	-	-
240V GKV 600W	28°	Peak	4750	1188	528	297	-	-	-	-	-
		Flat	3800	975	433	-	-	-	-	-	-
80V 1200W	12°	Peak	12500	3125	1389	781	500	347	-	-	-
		Flat	11000	2750	1222	688	440	-	-	-	-
80V 1200W	28°	Peak	3180	795	353	-	-	-	-	-	-
		Flat	2300	575	256	-	-	-	-	-	-
MSR 575 / 2	12°	Peak	26500	6625	2944	1656	1060	736	541	414	-
		Flat	26350	6588	2928	1647	1054	732	538	-	-
MSR 575 / 2	28°	Peak	6550	1638	728	409	-	-	-	-	-
		Flat	6250	1563	694	391	-	-	-	-	-
CDM-T 942 / 830 150W	12°	Peak	35000	8750	3899	2188	1400	972	714	547	391
		Flat	25000	6250	2778	1563	1000	694	510	-	-
CDM-T 942 / 830 150W	28°	Peak	8500	2125	944	531	340	236	-	-	-
		Flat	6000	1500	667	375	-	-	-	-	-
CDM-T 942 / 830 70W	12°	Peak	9750	2438	1083	609	390	-	-	-	-
		Flat	9750	2438	1083	609	390	-	-	-	-
CDM-T 942 / 830 70W	28°	Peak	2350	588	261	-	-	-	-	-	-
		Flat	2350	588	261	-	-	-	-	-	-
CST 250 HR	12°	Peak	6300	1575	700	394	-	-	-	-	-
		Flat	5400	1350	600	338	-	-	-	-	-
CST 250 HR	28°	Peak	1500	375	-	-	-	-	-	-	-
		Flat	1200	300	-	-	-	-	-	-	-
CST 250 HR	12°	Peak	12800	3200	1422	800	512	356	261	200	-
		Flat	12800	3200	1422	800	512	356	261	200	-
CST 250 HR	28°	Peak	2960	740	329	185	-	-	-	-	-
		Flat	2960	740	329	185	-	-	-	-	-

### PHYSICAL DATA



- Weight:** 9.9Kg  
**Carton Size:** 650 x 400 x 260 (estimated)  
**Colour Frame Size:** 185mm square  
**Gobo Size:** M Size, 50mm diameter image  
**Included:** 1 x colour frame, 1 x heat sink guard, 1 x M12 suspension bolt set & instruction leaflet

NB: The above CST 250 HR performance information relates to the NEW version of this lamp due for general release early 2006.  
**CST 250 HR** 21,200 lumens 4,000hrs average life

### ORDER CODES & ACCESSORIES

- Pacific 12-28 Zoomspot, 600W/800W** 18PAC1228/6  
**Pacific 12-28 Zoomspot, 1000W** 18PAC1228/1  
**Pacific Gobo Holder, M size** 19PACGHM  
**Pacific Iris** 20IRIS  
**Lens Safety Mesh** 19PACSM1228  
**Suspension Hookclamp** 20HC  
**Safety Bond** 20SC

Selecon reserves the right to change the specifications without notice (11/06).

### LAMPS: 240V

- GKV600W** 15,000 lumens 300 hours average life  
**GLB600W** 13,000 lumens 1500 hours average life  
**800W** 22,000 lumens 400 hours average life  
**GAD1000WBP** 25,000 lumens 250 hours average life  
**GAB1000W BP 230V** 25,000 lumens 250 hours average life

SELECON, THE ONLY LUMINAIRE MANUFACTURER TO OFFER A LIMITED THREE YEAR WARRANTY ON ENTERTAINMENT PRODUCTS  
 © 2005 Selecon New Zealand Limited. All Rights Reserved.