

14°-35° ZOOMSPOT



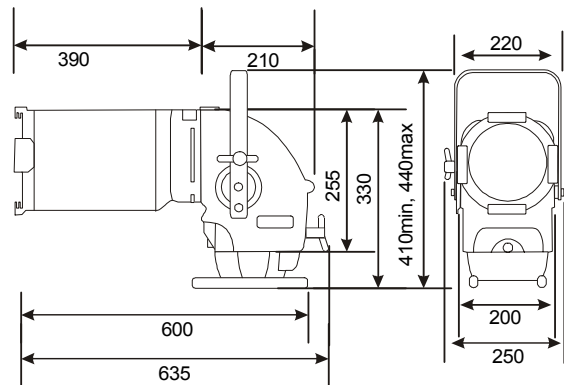
A base down axial profile delivering a “cool” beam of light with a beam range adjustable between 14° to 35°. The beam is a crisp “white” light with little or no distortion, ideal for pattern projection and precise beam shaping.

NOTE: It is the same physical tube as the 12°-28° with a different optical arrangement to take the B size pattern. As the gate is wider, it makes more use of the available light, therefore a little more efficient.

FEATURES

- Compact 14°-35° luminaire only 635mm long.
- Cool light ‘white’ light. Over 80% of the heat is removed from the light beam by cold mirror and dissipated through the heatsink.
- Base down lamp mounted axially in the reflector to maximise light collection.
- Choice of 600W, 800W, 1000W or 150W MH or MSR 575W lamp modules (each supplied with 1m mains cable).
- Accurate, simple & cool to use, lamp peak / flat adjustment.
- Two pattern / iris mounting positions + rotatable lens tube.
- Automatic disconnection of power on removal of lamp module. CE listed.
- Height adjustable yoke.

PHYSICAL DATA



Weight: 9.8Kg
Carton Size: 650 x 400 x 260 (estimated)
Colour Frame Size: 185mm square
Gobo Size: B size, 65mm diameter image
Included: 1 x colour frame, 1 x heat sink guard, 1 x M12 suspension bolt set & instruction leaflet.

PHOTOMETRIC DATA

Tests conducted using standard 240V production lamps manufactured by Philips.

Beam angle	Beam Diameter									
	14 °, m	0	1.0	2.0	2.9	3.9	4.9	5.9	6.9	7.9
Beam angle	35 °, m	0	2.5	5.0	7.6	10.1	12.6	15.1	17.7	20.2
Throw Distance in m		0	4	8	12	16	20	24	28	32
Light Output in Lux										
Lamp										
240V BP 1000W	14°	Peak	16200	4050	1800	1013	648	450	331	-
		Flat	16200	4050	1800	1013	648	450	331	-
	35°	Peak	4070	1018	452	-	-	-	-	-
		Flat	4000	1000	444	-	-	-	-	-
240V 800W	14°	Peak	18900	4725	2100	1181	756	525	386	-
		Flat	17000	4250	1889	1063	680	472	347	-
	35°	Peak	4750	1188	528	297	-	-	-	-
		Flat	3900	975	433	-	-	-	-	-
240V GKV 600W	14°	Peak	12500	3125	1389	781	500	347	-	-
		Flat	11000	2750	1222	688	440	-	-	-
	35°	Peak	3180	795	353	-	-	-	-	-
		Flat	2300	575	256	-	-	-	-	-
80V 1200W	14°	Peak	26500	6625	2944	1656	1060	736	541	414
		Flat	26350	6588	2928	1647	1054	732	538	-
	35°	Peak	6550	1638	728	409	-	-	-	-
		Flat	6250	1563	694	391	-	-	-	-
MSR 575 / 2	14°	Peak	35000	8750	3889	2168	1400	972	714	547
		Flat	25000	6250	2778	1563	1000	694	510	391
	35°	Peak	8500	2125	944	531	340	236	-	-
		Flat	6000	1500	667	375	-	-	-	-
CDM-T 942 / 830 150W	14°	Peak	9750	2438	1083	609	390	-	-	-
		Flat	9750	2438	1083	609	390	-	-	-
	35°	Peak	2350	588	261	-	-	-	-	-
		Flat	2350	588	261	-	-	-	-	-
CDM-T 942 / 830 70W	14°	Peak	6300	1575	700	394	-	-	-	-
		Flat	5400	1350	600	338	-	-	-	-
	35°	Peak	1500	375	-	-	-	-	-	-
		Flat	1200	300	-	-	-	-	-	-
CST 250 HR	14°	Peak	12813	3203	1424	801	513	356	261	200
		Flat	12813	3203	1424	801	513	356	261	200
	35°	Peak	3075	769	342	-	-	-	-	-
		Flat	2485	621	276	-	-	-	-	-

LAMPS: 240V

GKV600W	15,000 lumens	300 hours average life
GLB600W	13,000 lumens	1500 hours average life
800W	22,000 lumens	400 hours average life
GAD1000WBP	25,000 lumens	250 hours average life
GAB1000W BP 230V	25,000 lumens	250 hours average life

ORDER CODES & ACCESSORIES

Pacific 14-35 Zoomspot, 600W/800W	18PAC1435/6
Pacific 14-35 Zoomspot, 1000W	18PAC1435/1
Pacific 14-35 Zoomspot Lens Tube	18PACTUBE1435
Pacific Gobo Holder, B size	19PACGHB
Pacific Iris	20IRIS
Lens Safety Mesh	19PACSM1228
Suspension Hookclamp	20HC
Safety Bond	20SC

Selecon reserves the right to change the specifications without notice (11/06).

NB: The above CST 250 HR performance information relates to the NEW version of this lamp due for general release early 2006.

CST 250 HR 21,200 lumens 4,000hrs average life