

SELECON

PRODUCT SPECIFICATION

Rama

150 PC 5° - 60°

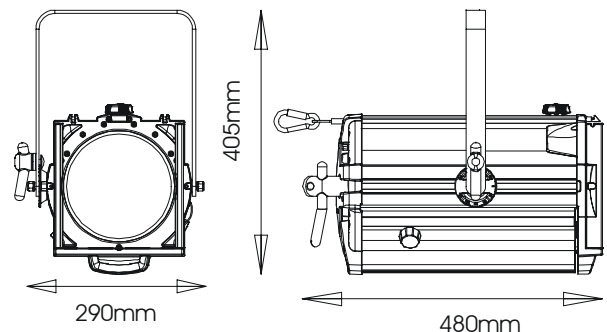


The Rama 150 PC (1.0kW / 1.2kW, 150mm lens) provides an adjustable cone of light that has a crisper edge than a Fresnel, and is easily blended with adjacent beams to provide even illumination.

FEATURES

- Integrated safety bond, rated for the fitting.
- Adjustable yoke balance point.
- 'Swing-down' door for easy access to lamp or cleaning. Disconnects the mains power supply on opening.
- Smooth 'posi-slide' focus system, no metal to metal contact.
- Constructed of aluminium extrusion and moulded engineering plastics.
- Cooler operation due to use of engineering plastics on front (colour frame mount) and rear of luminaire.
- Tilt and focus scale is in real degrees allowing for accurate WSYIWYG implementation.
- Compliant to CE standards.

PHYSICAL DATA



Weight: 6.9kg
Packed Weight: 7.8kg
Colour Frame Size: 186mm x 190mm
Included: 1 x colour frame, yoke nut and bolt, instruction leaflet.

PHOTOMETRIC DATA

Tests conducted using a standard T29, 1200W, 230V lamp.
 Peak candela at 5° - 306,600
 Peak candela at 60° - 15,840

LAMPS: 220V-240V

T/29 1200W 27,600 lumens 480 hours average life
CP90 1200W 30,000 lumens 400 hours average life
T/11 T/19 1000W 21,500 lumens 900 hours average life
CP70 1000W 25,000 lumens 400 hours average life

ORDER CODES & ACCESSORIES

16RAPC150 Rama PC 150 GX9.5 lampbase
 16RAPC150G22 Rama PC 150 G22 lampbase
 20BDSF12 Rama barndoor
 20SM6 Rama lens safety mesh

Selecon reserves the right to change the specifications without notice (09/06)

