

SELECON

PRODUCT SPECIFICATION



HIGH PERFORMANCE 175 FRESNEL 7° - 56°



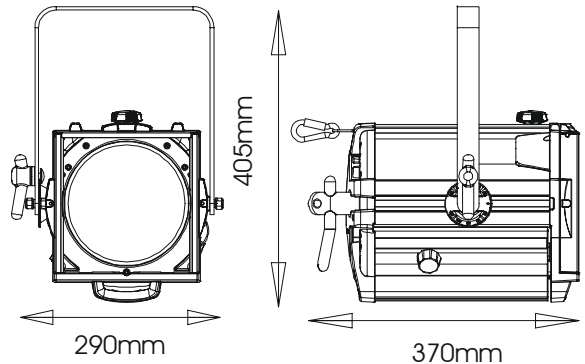
The Rama High Performance 175 Fresnel (1.0/1.2kW, 175mm lens) provides an adjustable cone of light has a soft edge and is easily blended with adjacent beams to provide even illumination.

The large 175mm lens provides up to 50% more illumination than conventional 150mm Fresnels.

FEATURES

- Supprex glass lens produces crisp white light.
- Integrated safety bond rated for the fitting.
- Adjustable yoke balance point.
- 'Swing-down' door for easy access to lamp or cleaning. Disconnects the mains power supply on opening.
- Smooth 'posi-slide' focus system, no metal to metal contact.
- Constructed of aluminium extrusion and moulded engineering plastics.
- Cooler operation due to use of engineering plastics on front (colour frame mount) and rear of luminaire.
- Tilt and focus scales are in real degrees allowing for accurate WSIYWYG implementation
- Compliant to CE standards.

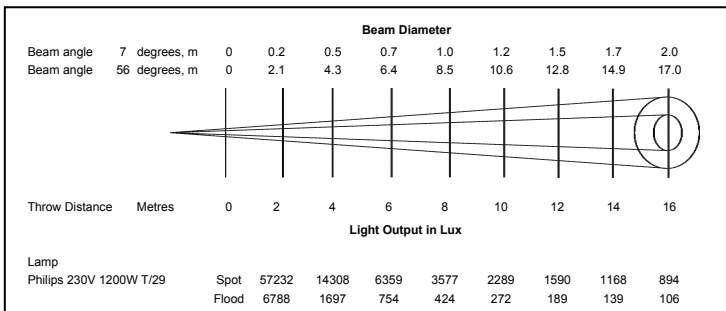
PHYSICAL DATA



Weight: 5.3kg
Packed Weight: 6.2kg
Colour Frame Size: 186mm x 190mm
Included: 1 x colour frame, yoke nut & bolt, instruction sheet

PHOTOMETRIC DATA

Tests conducted using a standard T29, 1200W, 230V lamp.
 Peak candela at 7° - 228,939
 Peak candela at 56° - 27,158



LAMPS: 220V – 240V

T/29 1200W	27,600 lumens	480 hrs average life
CP90 1200W	30,000 lumens	400 hrs average life
T/11 T/19 1000W	21,500 lumens	900 hrs average life
CP70 1000w	25,000 lumens	400 hrs average life

ORDER CODES & ACCESSORIES

16RAFR175	Rama Fresnel 175-GX9.5 lampbase
16RAFR175G22	Rama Fresnel 175-G22 lampbase
16RAFR175MY	Rama Fresnel 175-GX9.5 for motorised yoke
20BDSF12	Rama barndoor
20SM6	Rama lens safety mesh

Selecon reserves the right to change the specifications without notice (09/06)