

SELECON

PRODUCT SPECIFICATION



HIGH PERFORMANCE PC 175 4.5° - 62°



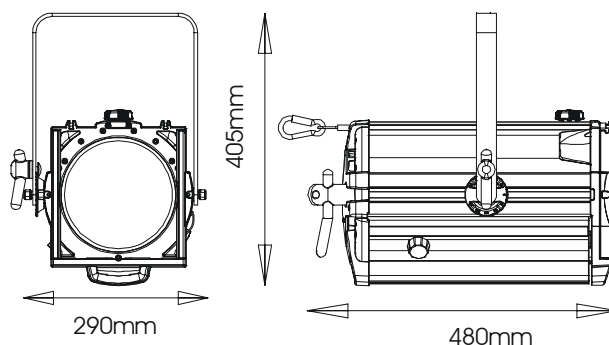
The Rama High Performance 175 PC (1.0kW / 1.2kW, 175mm lens) provides an adjustable cone of light has a soft edge and is easily blended with adjacent beams to provide even illumination.

The custom designed PC lens produces outstanding light output and unmatched beam quality, similar to a profile beam with 114 Hamburg Frost.

FEATURES

- Custom lens delivers up to 50% more light, and unmatched beam quality.
- Integrated safety bond rated for the fitting; maximum free length = 830mm.
- Adjustable yoke balance point.
- 'Swing-down' door for easy access to lamp or cleaning. Disconnects the mains power supply on opening.
- Smooth 'posi-slide' focus system, no metal to metal contact.
- Constructed of aluminium extrusion and moulded engineering plastics.
- Cooler operation due to use of engineering plastics on front (colour frame mount) and rear of luminaire.
- Heat-insulated rear grab-handle which doubles as handy storage for the 1m cable length.
- Tilt and focus scale is in real degrees allowing for accurate WSYIWYG implementation
- Compliant to CE standards.

PHYSICAL DATA



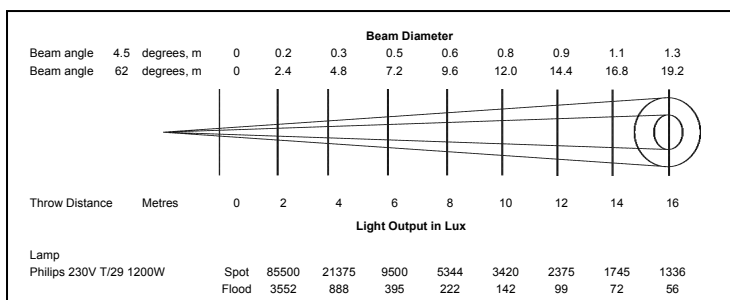
Weight: 7.2kg
Packed Weight: 8.1kg
Colour Frame Size: 186mm x 190mm
Included: 1 x colour frame, yoke nut & bolt, instruction sheet.

LAMPS: 220V – 240V

T/29 1200W	27,600 lumens	480 hours average life
CP901200W	30,000 lumens	400 hours average life
T/11 T/19 1200W	21,500 lumens	900 hours average life
CP70 1200W	25,000 lumens	400hours average life

PHOTOMETRIC DATA

Tests conducted using a standard T29, 1200W, 230V lamp.
 Peak candela at 4.5 - 342,000
 Peak candela at 62 - 14,220



ORDER CODES & ACCESSORIES

- | | |
|--------------|--|
| 16RAPC175 | Rama PC 175-GX9.5 lampbase |
| 16RAPC175G22 | Rama PC 175-G22 lampbase |
| 16RAPC175MY | Rama PC 175-GX9.5 - for motorised yoke |
| 20BDSF12 | Rama barndoor |
| 20SM6 | Rama lens safety mesh |

Selecon reserves the right to change the specifications without notice (07/07)