

AURORA



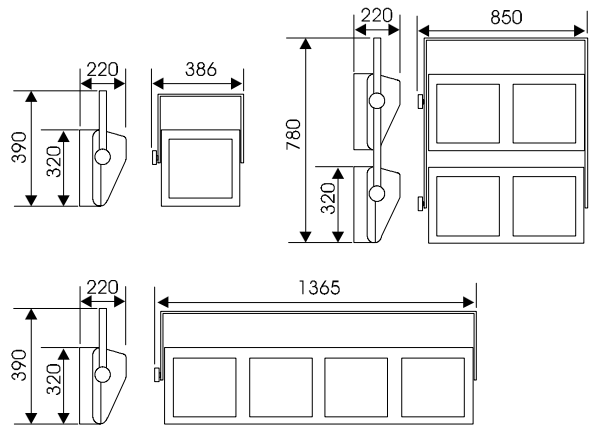
CYC

A range of asymmetric floods 1.0kW / 1.25kW to light the cyc or back-cloth with a visually even wash of light from a top mounting position.
Designed to light cloths up to 10m high from a throw distance of 2-3m.

FEATURES

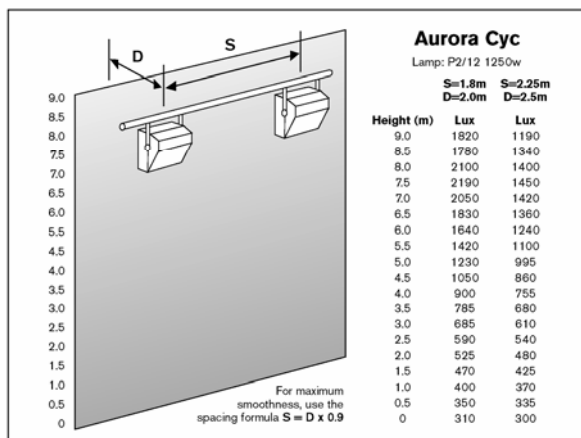
- Light beam is very smooth and falls off evenly without visible high lights or shadows.
- The extruded aluminium reflector guarantees repeatability of beam characteristics.
- Robust construction from a combination of aluminium extrusions and formed steel panels.
- Filter life is maximised by the dual air-flow chamber construction.
- Filter frame size ensures an economic two frame cut out of a standard filter sheet.
- The filter frame is flat ensuring it can be mounted into the luminaire with ease.
- Re-lamp without removing the colour filter holder via the hinged front filter holder assembly.
- Available in a variety of configurations with your choice of multi connector options.
- Compliant to CE standards.

PHYSICAL DATA



	Single	4way Linear	4 way Square
Packed Weight:	9.1kg	30kg	33kg
Colour Frame Size:	305mm x 315mm		
Included:	1 colour frame for single, 4 colour frame for 4- way, 1 x M12 nut & bolt set, instruction leaflet.		

PHOTOMETRIC DATA



Tests conducted using a standard 1250W, 240V, 189mm P2/12 lamp.

LAMPS: 220V-240V

1250W P2/12	1000W P2/7	625W P2/10
33,750 lumens	26,000 lumens	16,250 lumens
200 hours average life for all.		

ORDER CODES & ACCESSORIES

Aurora Cyc	10AUCYC1
Aurora Cyc pole operation	10AUCYC1PO
Aurora Cyc 4 Square	10AUCYC4S
Aurora Cyc 4 Square pole op.	10AUCYC4SPO
Aurora Cyc 4 Linear (Tails out)	10AUCYC4L
Aurora Cyc 4 Linear (Wieland)	10AUCYC4LW
Aurora Cyc 4 Linear (Socapex)	10AUCYC4LS
Aurora Barndoor	20BDAU
Suspension Hookclamp	20HC
Safety Bond	20SC

Selecon reserves the right to change the specifications without notice (09/06).