

# AURORA

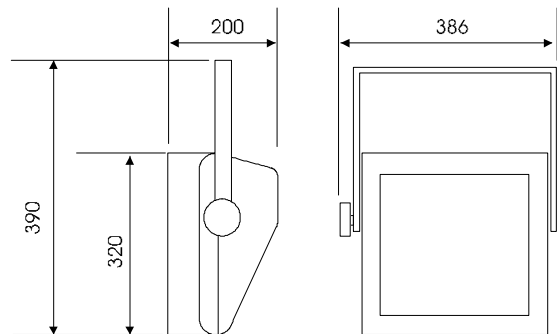
## FLOOD

A 1.0kW / 1.25kW symmetric flood luminaire for larger theatres and studios and general purpose display lighting.

### FEATURES

- 90° light beam is smooth and falls off evenly without visible high lights or shadows.
- The extruded aluminium reflector guarantees repeatability of beam characteristics.
- Robust construction from a combination of aluminium extrusions and formed steel panels.
- Filter life is maximised by the dual air-flow chamber construction.
- Filter frame size ensures an economic two frame cut out of a standard filter sheet.
- The filter frame is flat ensuring it can be mounted into the luminaire with ease.
- Re-lamp without removing the colour filter holder via the hinged front filter holder assembly.
- Barndoor accessory available for beam masking.
- Available configurations: single, with or without pole operated tilt; multi batten options as per cyc.
- Compliant to CE standards.

### PHYSICAL DATA



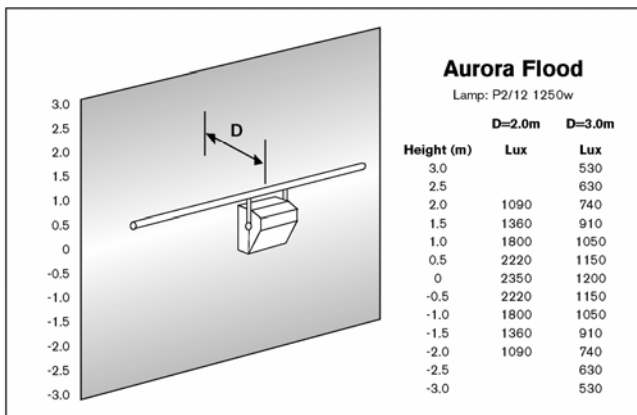
**Weight:** 10.2kg  
**Packed weight:** 11.4kg  
**Cubic:** 0.073  
**Colour Frame Size:** 305mm x 315mm  
**Included:** 1 x colour frame for single, 1 x M12 nut & bolt set, instruction sheet.

### LAMPS: 220V-240V

<b>1250W</b> P2/12	<b>1000W</b> P2/7	<b>625W</b> P2/10
33,750 lumens	26,000 lumens	16,250 lumens
200 hours average life for all.		

### PHOTOMETRIC DATA

Tests conducted using a standard 1250W, 240V, 189mm P2/12 lamp.



### ORDER CODES & ACCESSORIES

<b>Aurora Flood</b>	10AUFLD
<b>Aurora Flood, pole operated</b>	10AUFLDPO
<b>Aurora Barndoor</b>	20DBAU
<b>Suspension Hookclamp</b>	20HC
<b>Safety Bond</b>	20SC

Selecon reserves the right to change the specifications without notice (09/06).