

# AURORA

## GROUNDROW

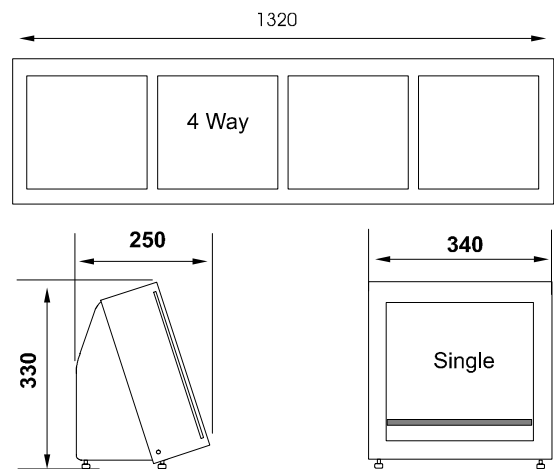


A 625W, 1000W or 1250W asymmetric cyclorama luminaire for larger theatres and studios providing a visually even wash of light from a floor position.

### FEATURES

- Light beam is very smooth and falls off evenly without visible high lights or shadows.
- The extruded aluminium reflector guarantees repeatability of beam characteristics.
- Robust construction from a combination of aluminium extrusions and formed steel panels.
- Filter life is maximised by the dual air-flow chamber construction.
- Filter frame size ensures an economic two frame cut out of a standard filter sheet.
- The filter frame is flat ensuring it can be mounted into the luminaire with ease.
- Adjustable rubber feet isolate the luminaire from vibration and provide tilt adjustment.
- Single unit has side hinges for on-site assembly as battens.
- Relamp without removing the colour filter holder.
- Available configurations: single, 4-way linear; choice of multi connectors.
- Compliant to CE standards.

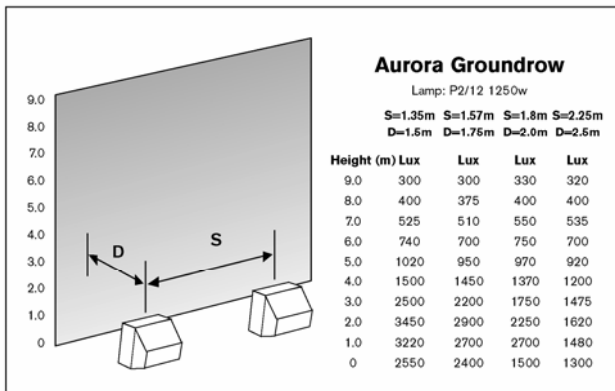
### PHYSICAL DATA



	<b>Single</b>	<b>4 Way</b>
<b>Weight:</b>	7kg	26.7kg
<b>Colour frame size:</b>	305mm x 315mm	
<b>Included:</b>	1 x colour frame for single, instruction leaflet.	

### PHOTOMETRIC DATA

Tests conducted using a standard 1250W, 240V, 189mm P2/12 lamp.



### LAMPS: 220V-240V

<b>1250W</b> <b>P2/12</b>	<b>1000W</b> <b>P2/7</b>	<b>625W</b> <b>P2/10</b>
33,750 lumens	26,000 lumens	16,250 lumens
200 hours average life for all.		

### ORDER CODES & ACCESSORIES

<b>Aurora Groundrow Single</b>	10AUGRD
<b>Aurora Groundrow 4-way linear (cable tails)</b>	10AUGRD4
<b>Aurora Groundrow 4-way linear (weiland connection)</b>	10AUGRD4W
<b>Aurora Groundrow 4-way linear (socapex connection)</b>	10AUGRD4S

Selecon reserves the right to change the specifications without notice (09/06).