

SELECON

PRODUCT SPECIFICATION

PACIFIC

20° FIXED BEAM



A base down axial ellipsoidal delivering a “cool” beam of 20°. The beam is a crisp “white” light with little or no distortion, ideal for pattern projection and precise beam shaping.

An energy efficient fixture with Active Heat Management system delivers longer life for filters, shutters and lower energy consumption.

FEATURES

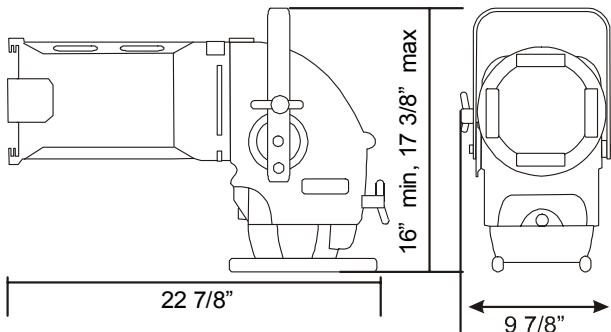
- Cool ‘white’ light. Over 80% of the heat is removed from the light beam by the cold mirror and dissipated through the heat-sink.
- Base down lamp mounted axially in the reflector to maximize light collection.
- Choice of 575W; 750W or 1000W; MSR 575W; 70W/150W CDM / CMH lamp modules supplied with 3ft mains cable.
- Accurate & easy to use lamp peak/ flat adjustment.
- Two pattern/ iris mounting positions.
- Automatic disconnection of power on removal of lamp module. ETL / cETL listed to UL 1573.
- Height adjustable yoke.

PHOTOMETRIC DATA

Tests conducted using standard 115V production lamps manufactured by Philips.

Beam angle	20 °, ft	Beam Diameter									
		0	4.6	9.3	13.9	18.5	23.3	27.9	32.4	37.0	
		0	13	26.5	39.5	52.5	66	79	92	105	
		Throw Distance in ft									
		Light Output in Footcandles									
	Lamp	20°	Peak	1440	347	156	88	56	39	-	-
			Flat	975	235	106	60	38	-	-	-
	115V GLC 575W	20°	Peak	1208	291	131	74	47	-	-	-
			Flat	836	201	91	51	-	-	-	-
	115V BP 1000W	20°	Peak	1468	353	159	90	57	40	-	-
			Flat	975	235	106	60	38	-	-	-
	MSR 575 / 2	20°	Peak	2508	604	272	154	97	68	50	38
			Flat	1440	347	156	88	56	39	-	-
	CDM-T 942 / 830 150W	20°	Peak	790	190	86	48	-	-	-	-
			Flat	613	148	66	38	-	-	-	-
	CDM-T 942 / 830 70W	20°	Peak	469	113	51	-	-	-	-	-
			Flat	325	78	-	-	-	-	-	-
	CST 250 HR	20°	Peak	848	212	94	53	34	-	-	-
			Flat	726	181	81	45	29	-	-	-

PHYSICAL DATA



- Weight:** 18lbs 8oz
Carton Size: 25 1/2" x 15 3/4" x 10 5/8"
Color Frame Size: 6 1/8" x 6 1/8"
Gobo Size: A Size, 3" diameter image
Gobo Holder Width: 4 3/4"
Included: 1 x color frame, 1 x heat sink guard, 1 suspension bolt set, instruction sheet.

NB: The above CST 250 HR performance information relates to the NEW version of this lamp due for general release early 2006.

CST 250 HR 21,200 lumens 4,000hrs average life

LAMPS: 115V

- GLC 575W** 15,500 lumens 400hrs average life
GLA 575W 13,500 lumens, 500hrs average life
GLD 750W 18,600 lumens 400hrs average life
GLE 750W 1500hrs average life
Philips 120V750W Type code 6981P or 924546834428
GAC 1000W BP 27,000 lumens, 250hrs average life

ORDER CODES & ACCESSORIES

- Pacific Fixed Beam, no lens 575W/750W** 18PACFB/6
Pacific Fixed Beam, no lens, 1000W 18PACFB/1
Pacific 20° lens assembly 18PACL20
Pacific gobo holder, 'A' size 19PACGHA
Pacific spare color frame 19PACCF
Pacific iris 19PACIRIS
Pacific lens safety mesh 19PACSMFB
Safety bond 20SC

Selecon reserves the right to change the specifications without notice (11/06).