

ARENA

HIGH PERFORMANCE FRESNEL



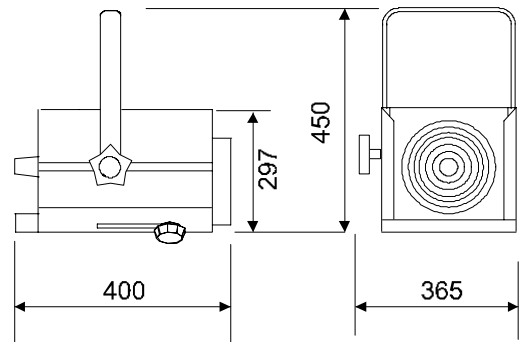
A 2.0kW / 2.5kW luminaire using a 250mm lens. Beam quality is excellent with a well-controlled flat even field with a distinct "white-blue" tint.

The Arena High Performance Fresnel offers superior light output, strength and industry leading performance.

FEATURES

- Leading performance for a theatre Fresnel due to 250mm diameter lens.
- Wide range of beam angle from 8°-60°.
- Flat even beam with very little spill allows clean masking with barndoor flaps.
- Adjustable yoke balance point.
- Swing-down door for easy access to lamp or lens.
- Your choice of GY16 lamp socket for CP72, 2.0kW lamp or G22 lamp socket for CP91, 2.5kW or CP92, 2.0kW lamp.
- 'Posi-slide' focus system with no metal to metal contact provides smooth focus movement.
- Effective airflow maintains lower body temperature.
- Constructed of pressure die-castings and aluminium extrusion.
- Fully tested and compliant to CE standards.

PHYSICAL DATA



Weight:	8.7kg
Packed Weight:	11.0kg
Carton Size:	310 x 375 x 520
Carton Size Cubic:	0.06
Colour Frame Size:	245mm x 310mm
Included:	1 x colour frame, 1 x M12 suspension bolt set, instruction leaflet.

LAMPS: 220V-240V

GY16 lamp socket / 2000W

CP72 50,000 lumens 400 hours average life

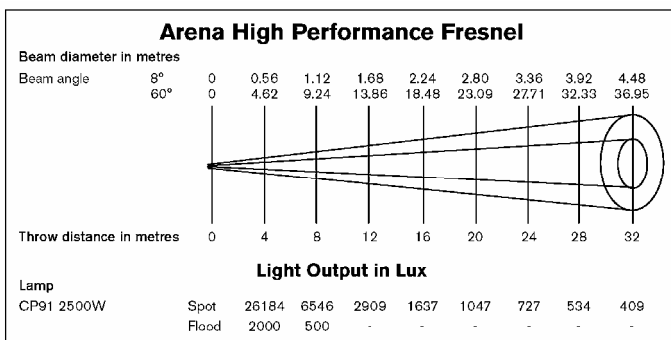
G22 lamp socket / 2500W

CP91 65,000 lumens 400 hours average life

G22 lamp socket / 2000W

CP92 50,000 lumens 400 hours average life

PHOTOMETRIC DATA



Tests conducted using a standard CP91, 2500W, 240V, 65,600 lumens lamp.

ORDER CODES & ACCESSORIES

Arena H.P. Fresnel - GY16	10SF2025
Arena H.P. Fresnel - G22	10SF2525
Barndoor	20BDSF2025
Lens Safety Mesh	20SM25
Suspension Hookclamp	20HC
Safety Bond	20SC

Selecon reserves the right to change the specifications without notice (09/06)