

5.5°-13° VERY NARROW ZOOMSPOT



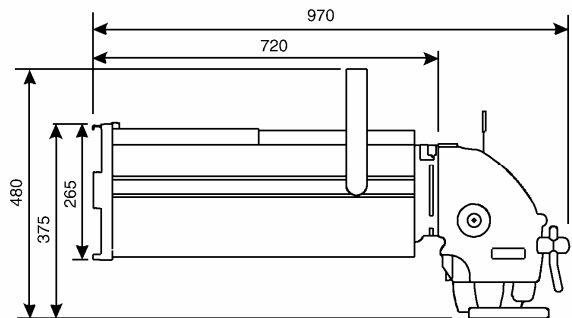
A base down axial profile delivering a “cool” beam of light. The beam is a crisp “white” light with little or no distortion, ideal for pattern projection and precise beam shaping.

An energy efficient luminaire with active heat management system delivers longer life for filters, shutters etc and lower energy consumption.

FEATURES

- Compact 5.5°-13° luminaire less than 1 metre long.
- Cool light ‘white’ light. Over 80% of the heat is removed from the light beam by cold mirror and dissipated through the heatsink.
- Base down lamp mounted axially in the reflector to maximise light collection.
- Choice of 600W, 800W, 1000W or 150W MH or MSR 575W lamp modules (each supplied with 1m mains cable).
- Accurate, simple & cool to use, lamp peak / flat adjustment.
- Two pattern / iris mounting positions.
- Independent rotating gate assembly.
- Constructed from aluminium pressure die-castings and injection moulded Fortron plastic components.
- Automatic disconnection of power on removal of lamp module. CE marked.

PHYSICAL DATA



- Weight:** 16.7kg
Colour Frame Size: 245mm square
Gobo Size: M size, 50mm diameter image
Included: 1 x colour frame, 1 x heat sink guard, 1 x suspension bolt set & instruction leaflet.

PHOTOMETRIC DATA

Tests conducted using standard 240V production lamps manufactured by Philips.

		Beam Diameter									
Beam angle	5.5 °, m	0	0.4	0.8	1.2	1.5	1.9	2.3	2.7	3.1	
Beam angle	13 °, m	0	0.9	1.8	2.7	3.6	4.6	5.5	6.4	7.3	
Throw Distance in m		0	4	8	12	16	20	24	28	32	
		Light Output in Lux									
Lamp											
240V BP 1000W	5.5°	Peak	41060	10265	4562	2566	1642	1141	838	642	
		Flat	41060	10265	4562	2566	1642	1141	838	642	
	13°	Peak	20120	5030	2236	1258	805	559	411	314	
240V GKV 600W	5.5°	Peak	41240	10310	4582	2578	1650	1146	842	644	
		Flat	41240	10310	4582	2578	1650	1146	842	644	
	13°	Peak	22872	5718	2541	1430	915	635	467	357	
80V 1200W	5.5°	Peak	16000	4000	1778	1000	640	444	327	250	
		Peak	60000	15000	6667	3750	2400	1667	1224	938	
	13°	Peak	49200	12300	5467	3075	1968	1367	1004	769	
MSR 575 / 2	5.5°	Peak	39500	7240	4389	2469	1580	1097	806	617	
		Flat	28960	7240	3218	1810	1158	804	591	453	
	13°	Peak	235600	58900	26178	14725	9424	6544	4808	3681	
CDM-T 150W/830	5.5°	Peak	118300	29575	13144	7394	4732	3286	2414	1848	
		Peak	112500	28125	12500	7031	4500	3125	2296	1758	
	13°	Peak	92800	23200	10311	5800	3712	2578	1894	1450	
CST 250 HR	5.5°	Peak	27580	6895	3064	1724	1103	766	563	431	
		Flat	27580	6895	3064	1724	1103	766	563	431	
	13°	Peak	15655	3914	1739	978	626	435	319	245	
	Flat	15655	3914	1739	978	626	435	319	245		
	Peak	31250	7813	3472	1953	1250	868	638	488		
	Flat	31250	7813	3472	1953	1250	868	638	488		
	Peak	13750	3438	1528	859	550	382	281	215		
	Flat	13750	3438	1528	859	550	382	281	215		

LAMPS: 240V

GKV600W	15,000 lumens	300 hours average life
GLB600W	13,000 lumens	1500 hours average life
800W	22,000 lumens	400 hours average life
GAD1000WBP	25,000 lumens	250 hours average life
GAB1000W BP 230V	25,000 lumens	250 hours average life

ORDER CODES & ACCESSORIES

Pacific 5.5-13 Zoomspot, 600W, 800W	18PAC513/6
Pacific 5.5-13 Zoomspot, 1000W	18PAC513/1
Pacific 5.5-13 Zoomspot HR 575W MSR lamp module	18PACMSR513HR
Pacific 5.5-13 Zoomspot, CDM 150W/70W lamp module	18PACCDM513
Pacific Gobo Holder, M size	19PACGHM
Pacific Iris	20IRIS
Lens Safety Mesh	20SM20
Suspension Hookclamp	20HC

Selecon reserves the right to change the specifications without notice (11/06).

NB: The above CST 250 HR performance information relates to the NEW version of this lamp due for general release early 2006.

CST 250 HR 21,200 lumens 4,000hrs average life