

# SELECON

## PRODUCT SPECIFICATION

# PACIFIC

## 7.5°-19° ZOOMSPOT



A base down axial profile delivering a “cool” beam of crisp “white” light with little or no distortion, ideal for pattern projection and precise beam shaping. The active heat management system delivers longer life for filters, shutters etc and lower energy consumption.

The Pacific range is constructed from aluminium pressure die- castings and injection moulded Fortron plastic components.

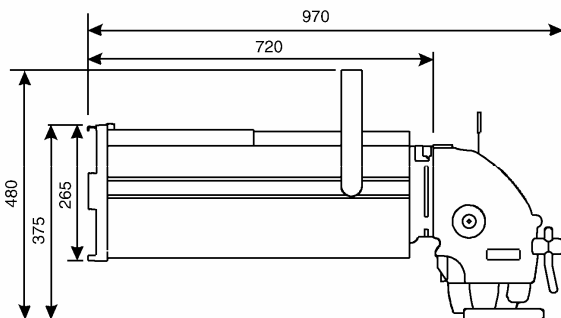
### FEATURES

- Compact 7.5°-19° luminaire less than 1 metre long.
- Cool light ‘white’ light. Over 80% of the heat is removed from the light beam by cold mirror and dissipated through the heatsink.
- Base down lamp mounted axially in the reflector to maximise light collection.
- Choice of 600W, 800W, 1000W or 150W MH or MSR 575W lamp modules (each supplied with 1m mains cable).
- Accurate, simple & cool to use, lamp peak / flat adjustment.
- Two pattern / iris mounting positions.
- Independent rotating gate assembly.
- Constructed from aluminium pressure die-castings and injection moulded Fortron plastic components.
- Automatic disconnection of power on removal of lamp module. CE marked.

### LAMPS: 240V

<b>GKV600W</b>	15,000 lumens	300 hours average life
<b>GLB600W</b>	13,000 lumens	1500 hours average life
<b>800W</b>	22,000 lumens	400 hours average life
<b>GAD1000WBP</b>	25,000 lumens	250 hours average life
<b>GAB1000W BP 230V</b>	25,000 lumens	250 hours average life

### PHYSICAL DATA



<b>Weight:</b>	16.7kg
<b>Colour Frame Size:</b>	245mm square
<b>Gobo Size:</b>	B size, 65mm diameter image
<b>Included:</b>	1 x colour frame, 1 x safety bond, 1 x heat sink guard, 1 x suspension bolt set & instruction leaflet.

### PHOTOMETRIC DATA

Tests conducted using standard 240V production lamps manufactured by Philips.

		Beam Diameter in m										
Beam angle		7.5	0	0.787	1.3109	1.9663	2.6217	3.2772	3.9326	4.588	5.2435	5.8989
Beam angle		19	0	2.008	3.3469	5.0203	6.6937	8.3671	10.041	11.714	13.387	15.061
Throw Distance	Metres	0	6	10	15	20	25	30	35	40	45	
		Light Output in Lux										
<b>Lamp</b>												
240V GKV 600W	7.5°	Peak	9600	3456	1536	864	553	384	282	216	171	
		Flat	9600	3456	1536	864	553	384	282	216	171	
	19°	Peak	4650	1674	744	419	268	186	137	105	83	
		Flat	1750	630	280	158	101	70	51	39	31	
240V GKV 800W	7.5°	Peak	11400	4104	1824	1026	657	456	335	257	203	
		Flat	11400	4104	1824	1026	657	456	335	257	203	
	19°	Peak	5750	2070	920	518	331	230	169	129	102	
		Flat	2760	994	442	248	159	110	81	62	49	
240V BP 1000W	7.5°	Peak	11120	4003	1779	1001	641	445	327	250	198	
		Flat	11120	4003	1779	1001	641	445	327	250	198	
	19°	Peak	5700	2052	912	513	328	228	168	128	101	
		Flat	3050	1098	488	275	176	122	90	69	54	
80V 1200W	7.5°	Peak	15420	5551	2467	1388	888	617	453	347	274	
		Flat	15420	5551	2467	1388	888	617	453	347	274	
	19°	Peak	8050	2898	1288	725	464	322	237	181	143	
		Flat	6000	2160	960	540	346	240	176	135	107	
MSR 575 / 2	7.5°	Peak	51500	18540	8240	4635	2966	2060	1513	1159	916	
		Flat	51500	18540	8240	4635	2966	2060	1513	1159	916	
	19°	Peak	19700	7092	3152	1773	1135	788	579	443	350	
		Flat	7500	2700	1200	675	432	300	220	169	133	
MSR 575W HR	7.5°	Peak	42100	15156	6736	3789	2425	1684	1237	947	748	
		Flat	42100	15156	6736	3789	2425	1684	1237	947	748	
	19°	Peak	17700	6372	2832	1593	1020	708	520	398	315	
		Flat	7500	2700	1200	675	432	300	220	169	133	

### ORDER CODES & ACCESSORIES

<b>Pacific 7.5-19 Zoomspot, 600W, 800W</b>	18PAC719/6
<b>Pacific 7.5-19 Zoomspot, 1000W</b>	18PAC719/1
<b>Pacific 7.5-19 Zoomspot HR 575W MSR lamp module</b>	18PACMSR719HR
<b>Pacific 7.5-19 Zoomspot, CDM 150W/70W lamp module</b>	18PACCDM719
<b>Pacific Gobo Holder, B size</b>	19PACGHB
<b>Pacific Iris</b>	20IRIS
<b>Lens Safety Mesh</b>	20SM20
<b>Suspension Hookclamp</b>	20HC

Selecon reserves the right to change the specifications without notice (06/07).