

GENERAL SPECIFICATIONS

DESCRIPTION

The Demux 24 is a 24 channel 1U rack mounted DMX to Analogue converter. Manufactured to the highest professional standards, the Demux 24 offers users the ability to use older analogue equipment with more modern DMX512 controllers. It is possible to select analogue outputs as either negative or positive. The Demux 24 also allows for the storage of 12 memories that can be manually played back.

SUPPLIED ACCESSORIES

- ▶ Installation/Operating Instructions.

ORDERING INFORMATION

- ▶ Demux 24 : 00-152-00

SPECIFICATIONS

- ▶ Number of channels : 24
- ▶ Analogue output sockets: 4 x ring locking DIN8 connectors, 6 channels each
- ▶ Analogue output voltage: Each output socket can be set to positive or negative polarity (+/-10V)
- ▶ Supply Voltage: Single Phase 85-260 Volts
- ▶ Supply Frequency : 50 -60 Hz
- ▶ Control Input : DMX512 via 5 Pin XLR fixed male with loop through.
- ▶ Dimmer Laws : 3 dimmer laws (Normal, Linear, Switch).
- ▶ Patching : Each output socket (6 channels) can be given it's own DMX address
- ▶ Memories : 12 static
- ▶ User Interface : 4 x 7 segment displays, 8 x LED's with navigation keys.
- ▶ DMX fail modes :
 - ▶ DMX Hold
 - ▶ Fade to Black
 - ▶ Fade to Memory
- ▶ Programmable channel attributes:
 - ▶ Preheat per channel (5%)
 - ▶ Dimmer law
- ▶ Dimensions: 44mm (H) x 483mm (W) x 128mm (D)
- ▶ Weight: 3.0Kg



Zero 88 Lighting Ltd, Usk House, Lakeside Close, Llantarnam Park, Cwmbran, NP44 3HD, UK.

Tel : +44 (0) 1633 838088

Fax : +44 (0) 1633 867880

Email : enquiries@zero88.com

web : www.zero88.com

© Zero 88 Lighting Ltd. August 2004 (EU). Issue 1

E&OE. Zero 88 reserves the right to make changes to equipment and prices without prior notice.



ENGINEERING SPECIFICATIONS

ELECTRONICS

The Demux 24 unit shall allow for the conversion of a DMX512 signal to 24 analogue outputs via 4 ring locking DIN8 connectors each controlling 6 channels. It shall be possible to set each of the four outputs to positive or negative polarity (+/- 10V).

DMX input shall be via a fixed 5 pin male XLR with a fixed 5 pin DMX loop through connector. The Demux 24 shall accept DMX512-1990. Indication on the front panel shall provide information on DMX present, error and termination. DMX termination shall be selectable via the user interface in a super user mode. DMX failure options shall be set from the user interface and will provide for retaining last state, fade to set memory or fade to black over 3 seconds.

The Demux 24 shall provide three dimmer laws, switch, Linear and S, these can be selected using the user interface. It shall be possible to select a preheat on a per channel basis. The preheat value is 5%.

Analogue outlets shall be on the front panel.

ELECTRICAL

The dimmer shall operate on single phase. A built in switched mode power supply, CEE22 inlet on rear panel shall provide for 85-264V mains operation

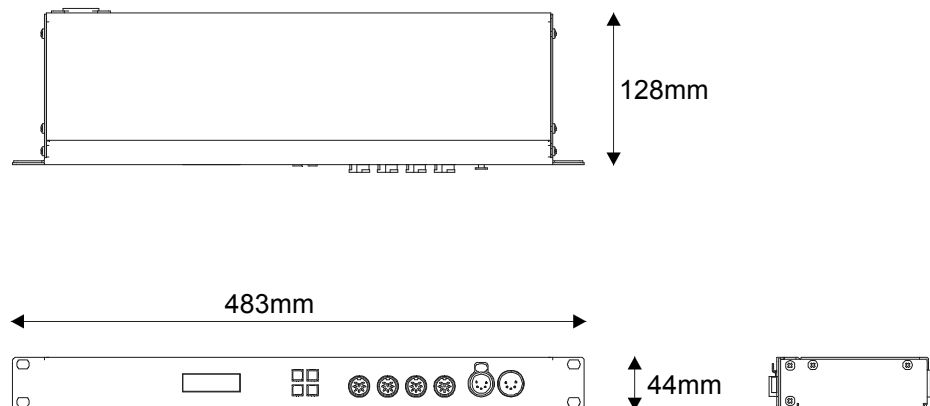
MECHANICAL

The Demux 24 shall be suitable for rack mounting. The Demux 24 shall be 44mm high by 483mm wide by 128mm deep. The unit shall be constructed from 1.5mm steel. Legends shall be screen printed onto the front panel.

All operator interfaces shall be on the front panel of the Demux 24. The user interface shall comprise of 4 x 7 segment displays, 8 labelled LEDs and four buttons.

The unit shall be fitted with rack ears to facilitate rack mounting.

The normal operating environment for the Demux 24 shall be +5 deg to 40 deg Celsius.



Zero 88 Lighting Ltd, Usk House, Lakeside Close, Llantarnam Park, Cwmbran, NP44 3HD, UK.

Tel : +44 (0) 1633 838088

Fax : +44 (0) 1633 867880

Email : enquiries@zero88.com

web : www.zero88.com

© Zero 88 Lighting Ltd. August 2004. Issue 1

E&OE. Zero 88 reserves the right to make changes to equipment and prices without prior notice.

