

ACCLAIM

PC



June 2007 – Selecon release a new model Acclaim PC which retains the many features of its industry-standard predecessor as well as introducing new design solutions, delivering an improved standard of operator ease and safety.

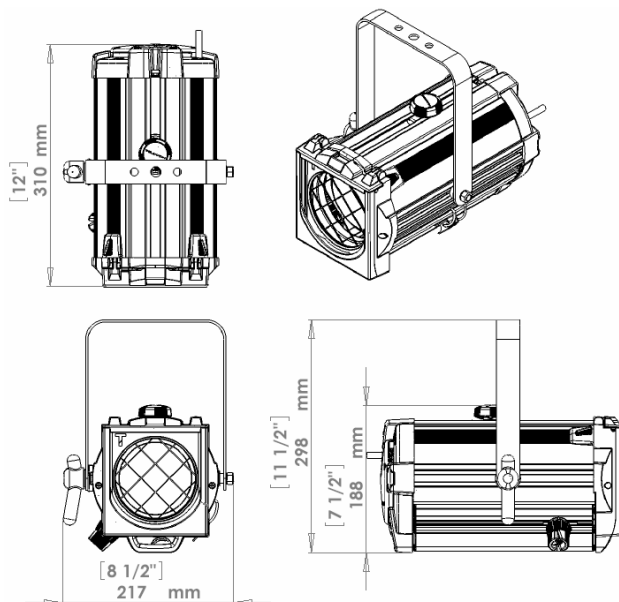
This 500W / 650W general purpose PC (110mm diameter lens) for theatre and display lighting produces a well-defined beam of light, with a crisper edge than a Fresnel, easily blended with adjacent beams to provide even illumination.

The Acclaim PC is built Selecon tough from aluminium extrusion and moulded engineering plastics – robust, dependable, safe and easy to rig backed by the unique Selecon 3-year warranty for entertainment luminaires. Focusing is fast and safe using the large rear grab handle and heat protected focus knob and filter holder.

FEATURES

- Up to 50% more light output than comparative PCs.
- A wide range of beam angles from 4°-64°.
- Integrated safety bond, rated for the fitting.
- Light texturing on the rear of lens obscures filament imaging retaining the characteristic PC beam clarity.
- Improved filter life through increased airflow.
- Cooler focus operation due to the use of engineering plastics on front (colour frame mount) and rear.
- Adjustable yoke balance point.
- ‘Swing-down’ side door for easy access to lamp or for cleaning. Micro-switch automatically isolates the mains power supply when opened. Lamps are quickly and safely removed using ejector mechanism.
- Lamp life is enhanced through judder-free focus action of the captive lamp/reflector assembly which moves on Teflon-coated bearings.
- Heat-insulated rear grab-handle which doubles as handy storage for the 1m cable length.
- New barndoor design, cool to focus maintaining settings through unique hinge tension design - retro-fittable.
- CE marked for use by all, not just professionals.

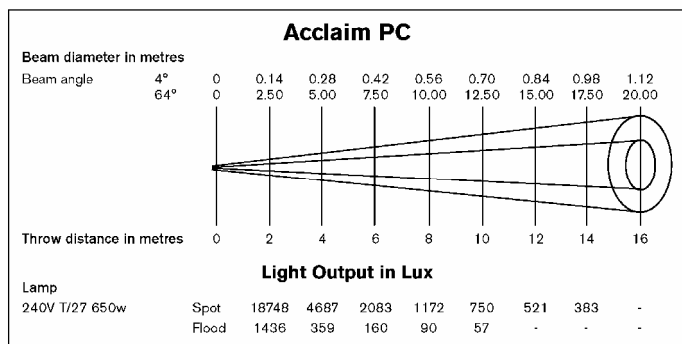
PHYSICAL DATA



Weight: 3.5kg **Packed:** 3.9kg
Carton Size: 460 x 225 x 175 **Cubic:** 0.018
Colour Frame Size: 125mm x 125mm
Luminaire with integrated safety bond supplied with: 1 x colour frame, 1 x M12 nut & bolt set and instruction leaflet.

PHOTOMETRIC DATA

Tests conducted using a standard T27, 650W, 240V, 15,000 lumens lamp.



LAMPS: 220V-240V

500W T/25, T/18 11,000 lumens 400hrs average life
500W M40 10,000 lumens 2000hrs average life
650W T/26, T/27 14,500 lumens 600hrs average life

ORDER CODES & ACCESSORIES

Acclaim PC 12ACPCMS
Barndoor 20BDMF
Lens Safety Mesh 15ACSM
Suspension Hookclamp 20HC

Selecon reserves the right to change the specifications without notice (June 2007).